



Orion Engineered Seals

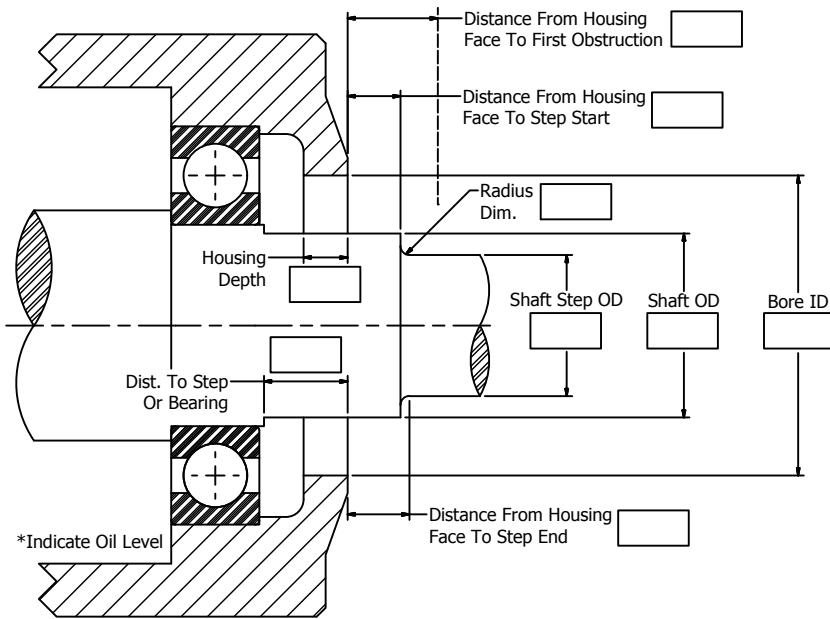
"It's Not Only What We **Make**...It's What We **Know**!"

Phone: 513-765-8100 Fax: 513-765-8111

E-mail: sales@orionseals.com

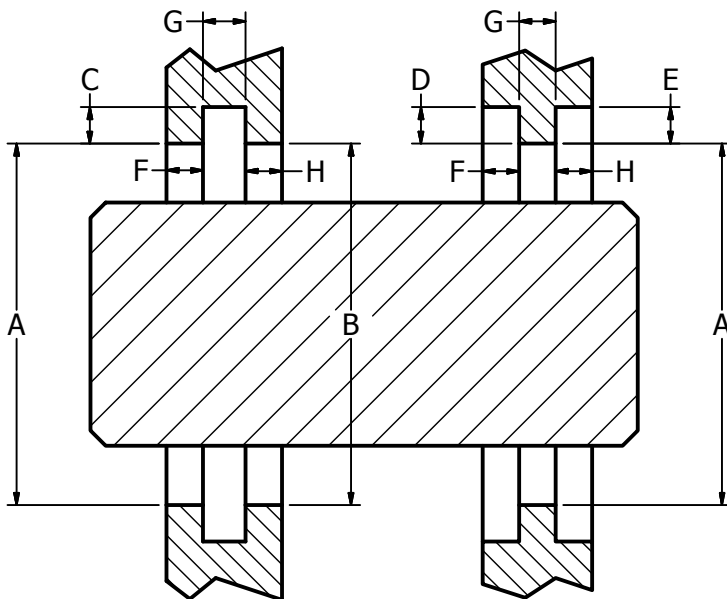
STEAM TURBINE

BPD-T Application Data Sheet



Female Housing

Male Housing



Company Name: _____

Location: _____

Contact Name: _____

Phone Number: _____

E-mail: _____

Equipment Make/Model: _____

Operating Environment: _____

RPM: _____

Shaft Orientation: Horizontal Vert-up Vert-dn

Shaft Axial Movement: _____

Shaft TIR: _____

Shaft/Bore TIR: _____

Temperature: _____ °F/°C

Lubrication: Oil* Grease Oil Mist Circulating

Bearing Housing: Solid Split

Seal Requirements

Solid Split

Material Of Const: Bronze S.S. Other: _____

O-ring Material: Aflas Other: _____

Additional Application Information:

A: _____

E: _____

B: _____

F: _____

C: _____

G: _____

D: _____

H: _____